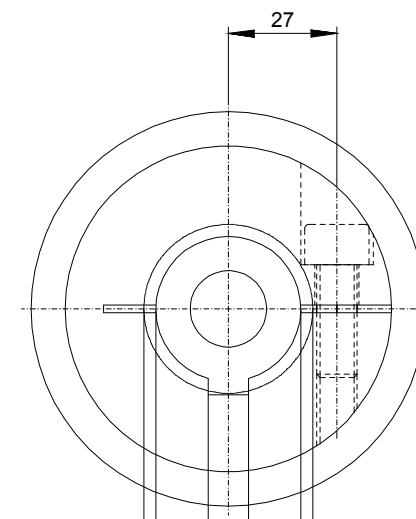
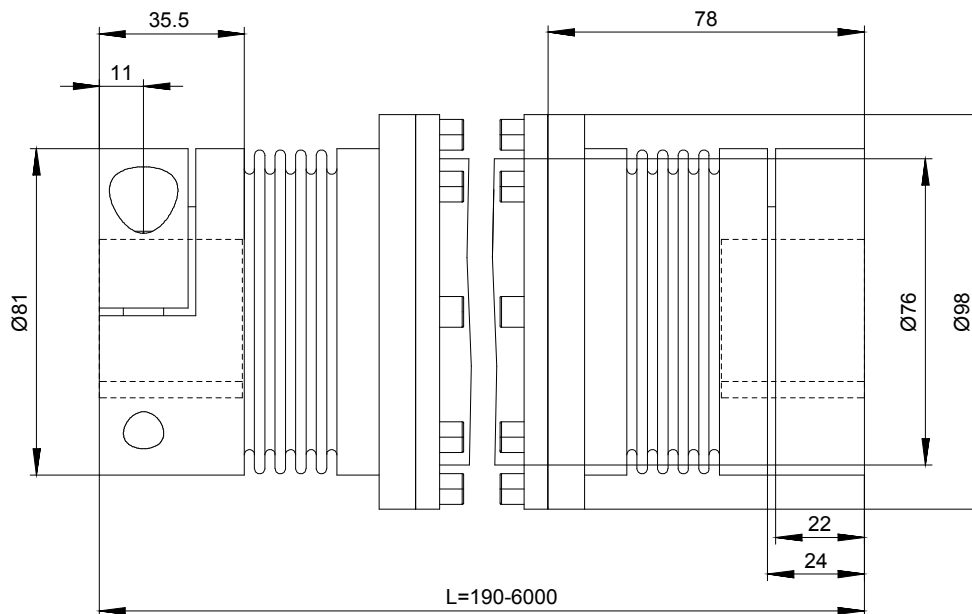


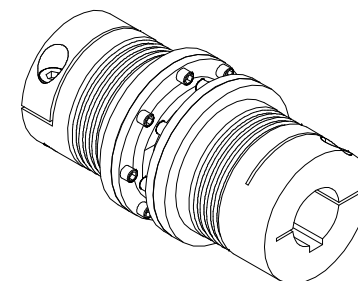
DIN or ANSI keyway available

- Ø36 H7 max w/ keyway
- Ø1 7/16" H7 max w/ keyway
- Ø42 H7 max w/o keyway
- Ø1 5/8" H7 max w/o keyway



DIN or ANSI keyway available

- Ø36 H7 max w/ keyway
- Ø1 7/16" H7 max w/ keyway
- Ø42 H7 max w/o keyway
- Ø1 5/8" H7 max w/o keyway



We reserve the right to make dimensional and design changes

Rated torque : 150 Nm
 Screw ISO 4762 : M10
 Tightening torque : 70 Nm

DIEQUA
 Corporation

180 Covington Drive
 Bloomingdale IL, 60108
 630-980-1133

Description: Line Shaft With Clamping Hub		Size, Series: LB/150/L/#-(KW)#-(KW)	
General tolerances: DIN/ISO 2768-1m	Scale: 1:1	Date	Name
Surface quality: DIN/ISO 1302	Checked:	Drawn:	
		Index	Change
		Date	Name