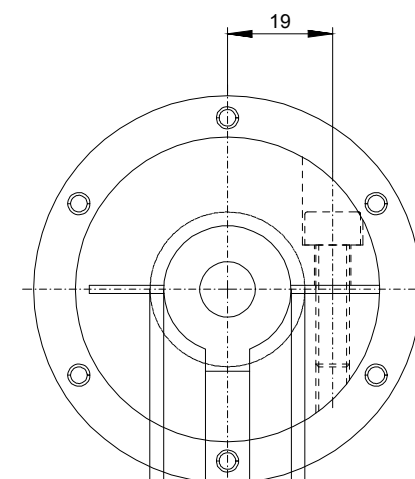
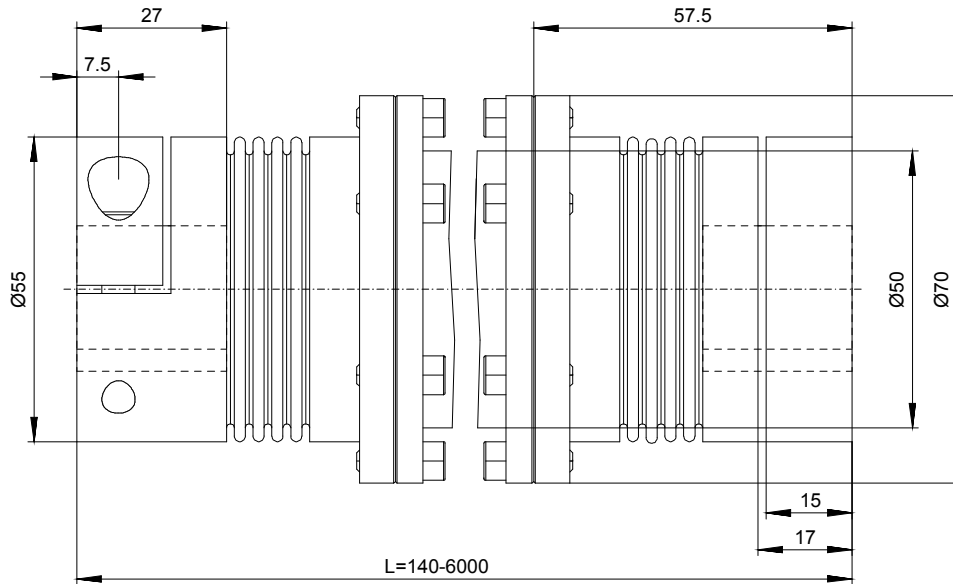


DIN or ANSI keyway available

Ø23 H7 max w/ keyway
 Ø15/16" H7 max w/ keyway

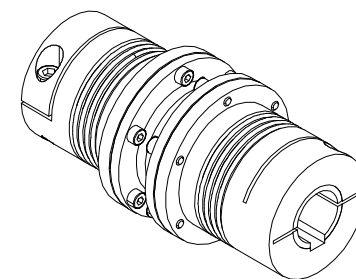
Ø28 H7 max w/o keyway
 Ø1 1/16" H7 max w/o keyway



DIN or ANSI keyway available

Ø23 H7 max w/ keyway
 Ø15/16" H7 max w/ keyway

Ø28 H7 max w/o keyway
 Ø1 1/16" H7 max w/o keyway



We reserve the right to make dimensional and design changes

Rated torque : 30 Nm
 Screw ISO 4762 : M6
 Tightening torque : 15 Nm



Description: Line Shaft With Clamping Hub		Size, Series: LB/30/L/#-(KW)/#-(KW)	
General tolerances: DIN/ISO 2768-1m	Scale: 1:1	Date	Name
Surface quality: DIN/ISO 1302	Checked:	Drawn:	
		Index	Change
		Date	Name